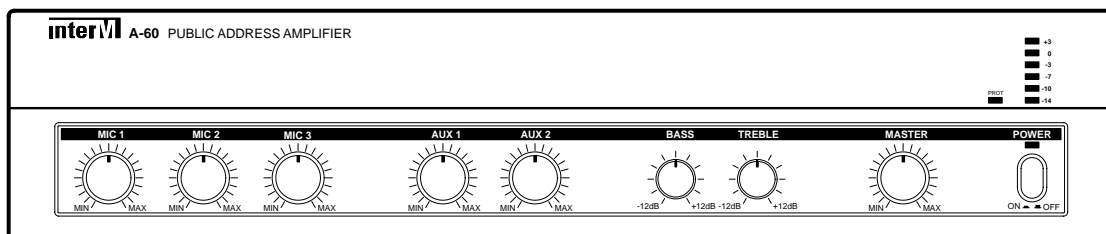


# Operating Manual

## A-60/120 Public Address Amplifier



**interM**

# Contents

1. Unpacking and Installation.....	1
2. Features .....	2
3. Front Panel Controls.....	3
4. Rear Panel Controls .....	4
5. Installation of the Speaker.....	5
6. Applications .....	6
7. Block Diagram.....	7
8. Specifications.....	8

**OFFICE :**

653-5 BANGHAK-DONG, DOBONG-KU, SEOUL, KOREA  
TEL : 82-2-2289-8140~8, FAX : 82-2-2289-8149




**Home Page :** <http://www.inter-m.com>

**E-mail :** [export@inter-m.com](mailto:export@inter-m.com)

## Unpacking and Installation

Although it is neither complicated to install nor difficult to operate your Amplifier, a few minutes of your time is required to read this manual for a properly wired installation and becoming familiar with its many features and how to use them. Please take a great care in unpacking your set and do not discard the carton and other packing materials. They may be needed when moving your set and are required if it ever becomes necessary to return your set for service.

Never place the unit near radiators, in front of heating vents, in excessively humid or dusty location to avoid early damage and for your years of quality use. Connect your complementary components as illustrated in the following page.

 <p><b>CAUTION</b> RISK OF ELECTRIC SHOCK DO NOT OPEN</p> <p>CAUTION: TO REDUCE THE RISK OF ELECTRIC SHOCK. DO NOT REMOVE COVER (OR BACK). NO USER-SERVICEABLE PARTS INSIDE. REFER SERVICING TO QUALIFIED SERVICE PERSONNEL.</p>	 <p>This symbol is intended to alert the user to the presence of uninsulated "dangerous voltage" within the product's enclosure that may be of sufficient magnitude to constitute a risk of electric shock to persons.</p>  <p>This symbol is intended to alert the user to the presence of important operation and maintenance (servicing) instructions in the literature accompanying the appliance.</p> <p>Caution: To prevent electric shock do not use this (polarized) plug with an extension cord, receptacle or other outlet unless the blades can be fully inserted to prevent blade exposure.</p>
<p><b>WARNING</b></p> <p>To prevent fire or shock hazard, do not expose the unit to rain or moisture.</p>	<p>Attention: Pour prévenir les chocs électriques ne pas utiliser cette fiche polarisée avec un prolongateur, une prise de courant ou une autre sortie de courant, sauf si les lames peuvent être insérées à fond sans en laisser aucune partie à découvert.</p>

\* Do not install this apparatus in a confined space such as a book case or similar unit.

\* The apparatus shall not be exposed to dripping or splashing and no objects filled with liquids, such as vases, shall be placed on the apparatus.

## Features

- **60W/120W HIGHLY RELIABLE PA AMPLIFIER**

These models can deliver very high output power at less than 1% THD (A-60: 60W, A-120: 120W).

- **VERSATILE AND EASY TO USE**

Incorporating all the necessary system components to provide versatility in an easy five channels of input to use from: five channels of input signals (MIC 1-3, AUX 1-2).

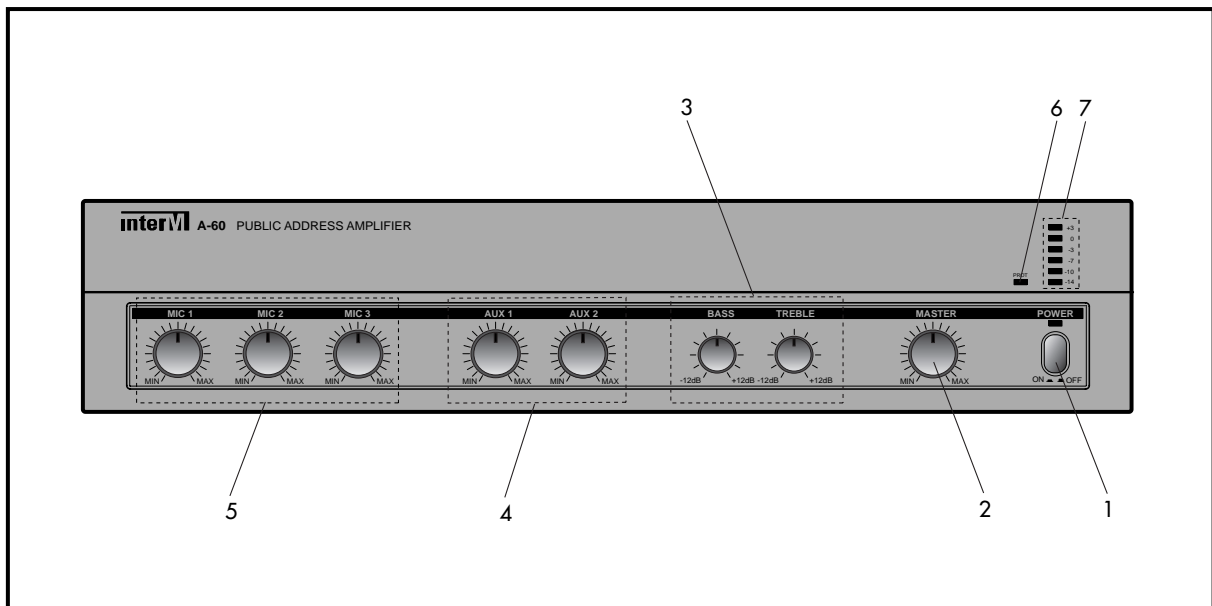
- **TONE CONTROL**

Tone control, bass & treble, for better sound.

- **MIC 1, PRIORITY**

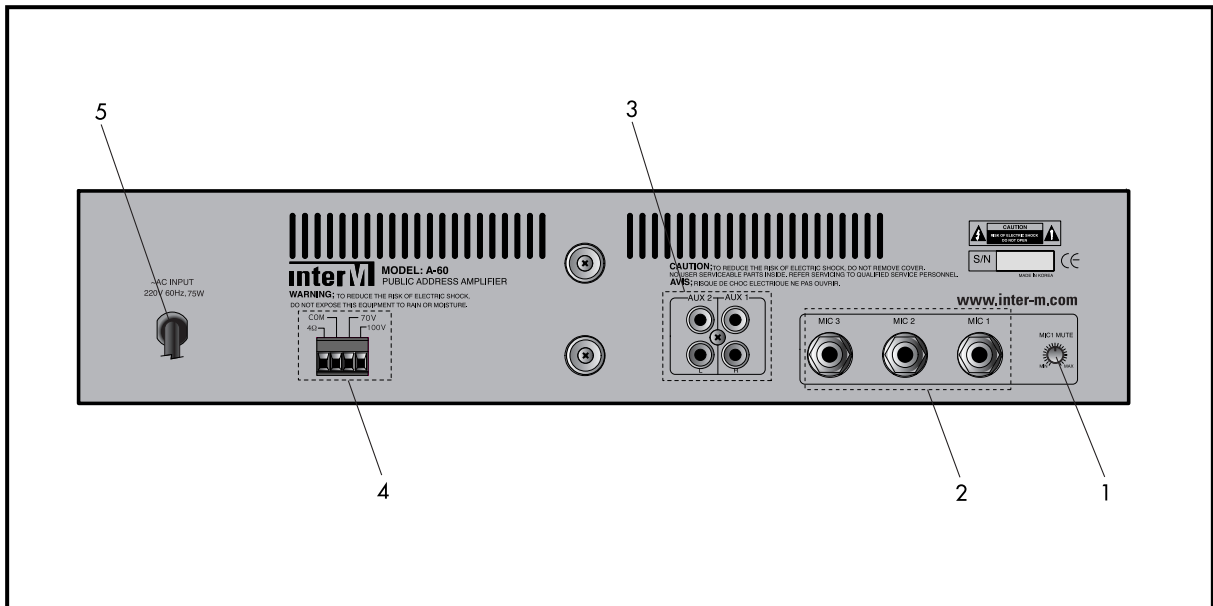
Mic 1 overrides other input channels.

## Front Panel Controls



1. **POWER SWITCH**  
Pressing this switch to ON will supply the power to this unit.
2. **MASTER VOLUME**  
This control is used for adjusting the volume of finally mixed sound.
3. **TONE CONTROL**  
These tone controls the tone each frequency  $\pm 12\text{dB}$ .
4. **AUX 1, 2 VOLUME**  
These volume adjust the level of AUX 1, 2.
5. **MIC 1~3 VOLUME**  
These volume adjust the level of MIC 1~3.
6. **PROTECT LED**  
This LED indicated protect circuit execution of internal unit.  
When output is cut off this LED lighted.
7. **LEVEL INDICATOR**  
These 6 dot LEDs indicate the output level.

## Rear Panel Controls



### 1. MUTING FOR PRIORITY

MIC 1 have priority to the other signal, you can adjust the mute level as adjusting volume of rear panel.

### 2. MIC 1~3 IN JACK

These jacks are for the MIC 1~3 input. Input sensitivity is 0.6mV and the input impedance is 600ohm.

### 3. AUX 1, 2 IN JACK

You can connect the sound source of deck, CD, etc.

### 4. SPEAKER TERMINAL

These terminals are for the connecting the speakers. Speaker terminals of 4ohm or high impedance not to over load.

### 5. AC CORD

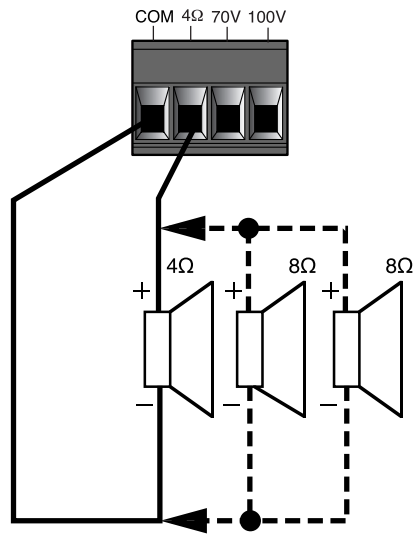
Plug this AC input cord.

## Installation of The Speaker

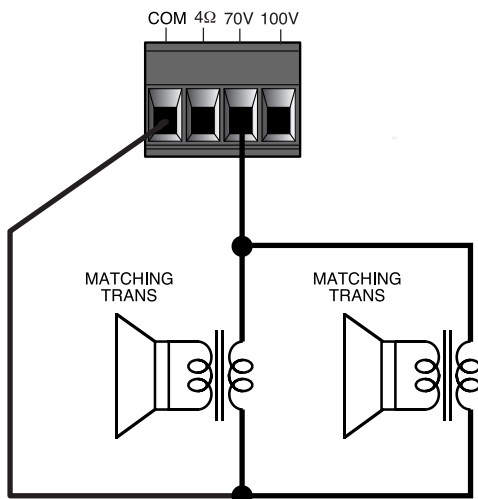
When you connect the speaker, remove the power cord from AC outlet. And use the suitable terminals connecting way as belows.

Be sure that total impedance is not less than rated impedance.

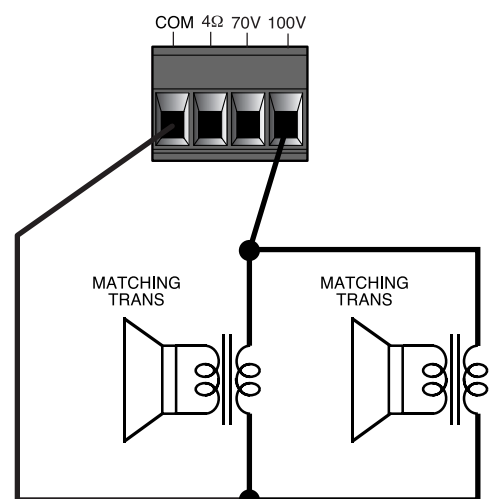
FOR 4Ω TERMINAL



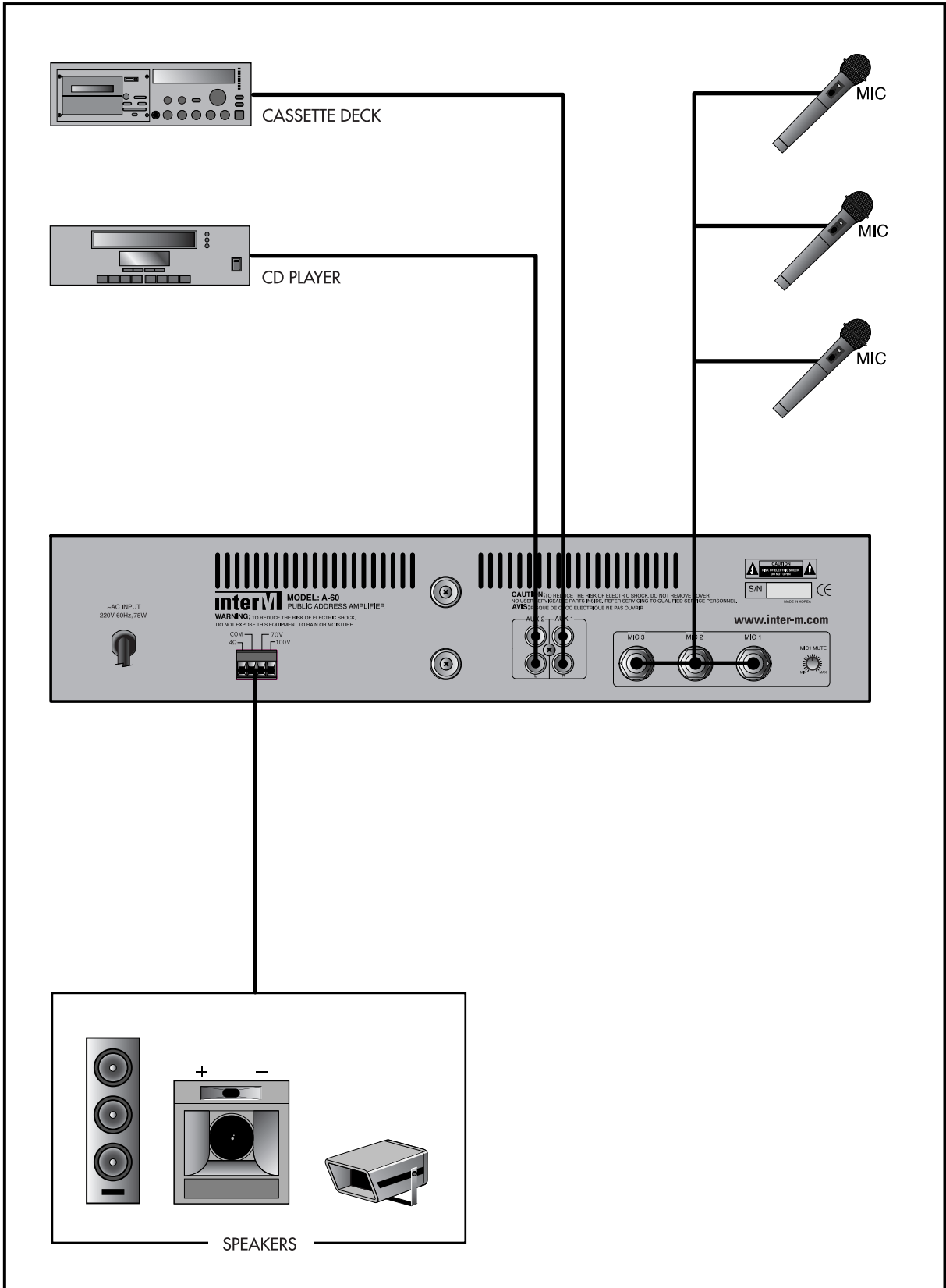
FOR 70V TAP TERMINAL



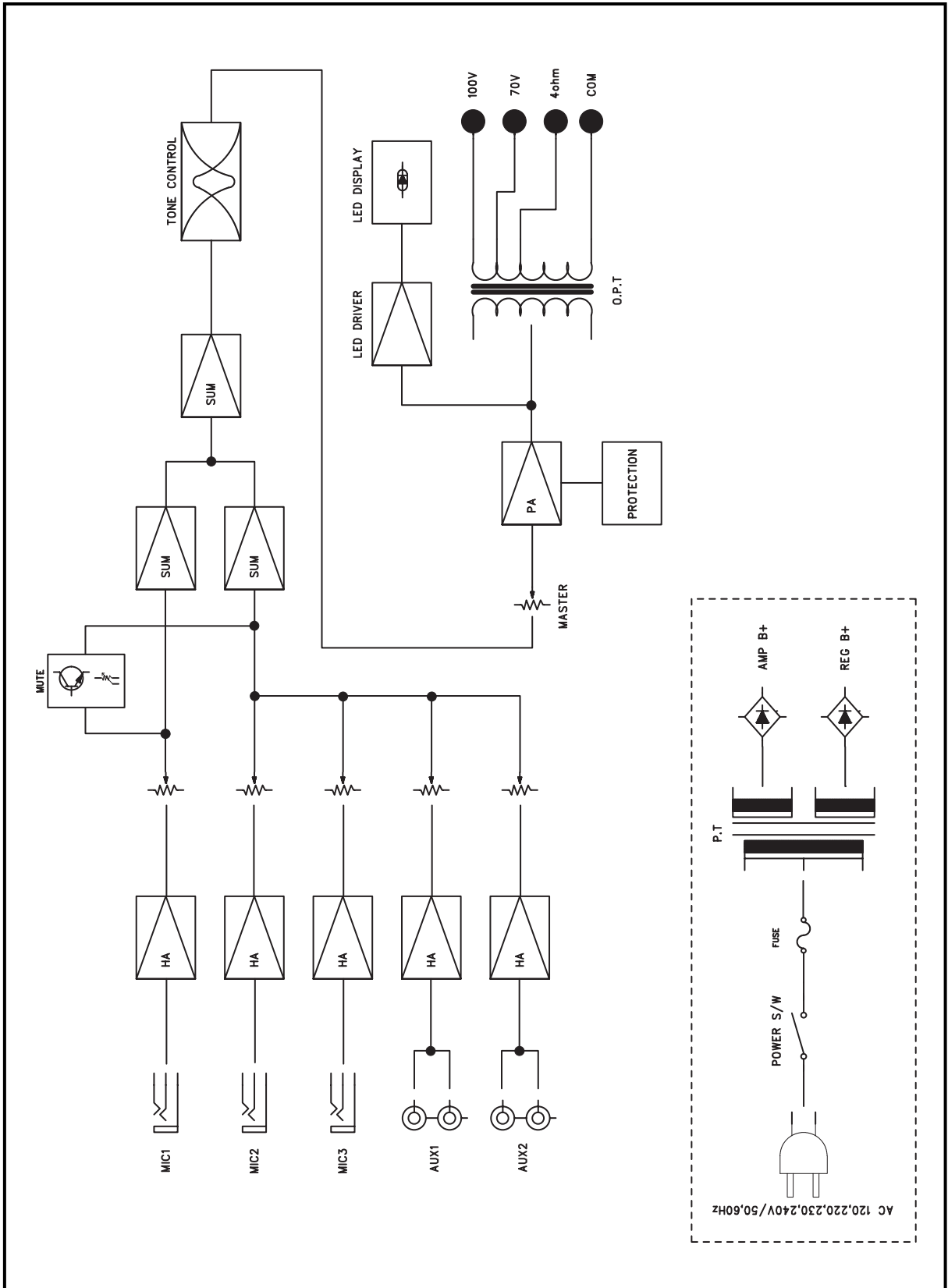
FOR 100V TAP TERMINAL



# Applications



# Block Diagram



# Specifications

0dB=0.775Vrms

**- ELECTRICAL**

Rated Output/Impedance .....	A-60: 15.5V/4Ω, 70V/81.6Ω, 100V/166.7Ω A-120: 21.9V/4Ω, 70V/40.8Ω, 100V/83.3Ω
Input Sensitivity/Impedance	
MIC 1-3 .....	-60dB/600Ω, BAL
AUX 1 .....	-10dB/10kΩ, UNBAL
AUX 2 .....	+3dB/10kΩ, UNBAL
Frequency Response (±3dB) .....	80Hz~16kHz
T.H.D. ....	Less than 1%
S/N	
MIC .....	Better than 50dB
AUX .....	Better than 75dB
Tone Control	
HIGH (10kHz) .....	±12dB
LOW (100Hz) .....	±12dB

**- GENERAL**

Power Source .....	AC 110V-240V, 50/60Hz
Power Consumption .....	A-60: 75W A-120: 105W
Weight .....	A-60: 8.9kg A-120: 10.3kg
Dimensions .....	420(W) × 88(H) × 320(D)mm

\* Specifications and design subject to change without notice for improvements.

