

interM

Inter-M, Ltd. (Korea) began operations in 1983.

Since then, Inter-M has grown to become one of the largest manufacturers of professional audio and commercial sound electronics equipment in the world.

Inter-M has gained worldwide recognition for its own branded products, as well as private label manufacturing of electronics sold under other names (OEM).

The company is no longer just a Korean company, but rather a global company that is truly international in scope, with factories and offices in Korea and China, and sales and marketing operations located in Japan, Europe, and the U.S.A.

With more than 850 employees around the globe, Inter-M is well-poised for further growth and expansion.

INTER-M AMERICAS, INC.

1 EAST BEACON LIGHT LANE CHESTER, PA USA 19013-4409
TEL : (610) 874-8870, FAX : (610) 874-8890
Home Page : <http://www.inter-m.net>, E-mail : service@inter-m.net

INTER-M Corporation

SEOUL OFFICE:653-5 BANGHAK-DONG, DOBONG-KU, SEOUL, KOREA
TEL : 82-2-2289-8140-8, FAX : 82-2-2289-8149
Home Page : <http://www.inter-m.com>, E-mail : export@inter-m.com

www.inter-m.com
November 2003 9007000310

Operating Manual

IMS-9000D Delegate Microphone



interM

Contents

Welcome	
Warning.....	1
Installation	
Environment.....	2
Important Safety Instructions	2
Features.....	4
Front & Rear Panel	5
Connector PIN	7
Applications.....	8
Application Models for Conference System	9
Specifications.....	10
Service	
Procedures.....	11
Schematic	11
Parts List.....	11
Warranty	11

Welcome

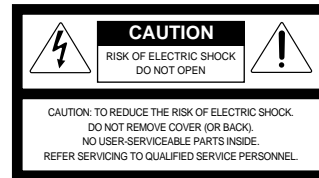
A personal welcome to you from the management and employees of Inter-M

All of the co-workers here at Inter-M are dedicated to providing excellent products with inherently good value, and we are delighted you have purchased one of our products.

We sincerely trust this product will provide years of satisfactory service, but if anything is not to your complete satisfaction, we will endeavor to make things right.

Welcome to Inter-M, and thank you for becoming part of our worldwide extended family!

Warning



WARNING

To prevent fire or shock hazard, do not expose the unit to rain or moisture.



This symbol is intended to alert the user to the presence of uninsulated "dangerous voltage" within the product's enclosure that may be of sufficient magnitude to constitute a risk of electric shock to persons.



This symbol is intended to alert the user to the presence of important operation and maintenance (servicing) instructions in the literature accompanying the appliance.

Caution: These servicing instructions are for use by qualified service personnel only. To reduce the risk of electric shock, do not any perform any servicing other than that contained in the operating instructions unless you are qualified to do so.

Attentions: Pour prévenir les chocs électriques ne pas utiliser cette fiche polarisée avec un prolongateur, une prise de courant on une autre sortie de courant, sauf si les lames peuvent être insérées à fond sans en laisser aucune partie à découvert.

*Do not install this equipment in a confined space such as a book case or similar unit.
*The apparatus shall not be exposed to dripping or splashing and no objects filled with liquids, such vases, shall be placed on the apparatus.
*Worded: "WARNING FOR YOUR PROTECTION PLEASE READ THE FOLLOWING-WATER AND MOISTURE: Unit should not be used near water(e.g. near a bathtub, washbowl, kitchen sink, laundry tub, in a wet basement, or near a swimming pool, etc). Care should be taken so than objects do not fall and liquids are not spilled into the enclosure through openings."

Installation

Environment

Never place this product in an environment which could alter its performance or reduce its service life. Such environments usually include high levels of heat, dust, moisture, and vibration.

Important Safety Instructions

1. Read these instructions.
2. Keep these instructions.
3. Heed all warnings.
4. Follow all instructions.
5. Do not use this apparatus near water.
6. Clean only with dry cloth.
7. Do not block any ventilation openings. Install in accordance with the manufacturer's instructions.
8. Do not install near any heat sources such as radiators, heat registers, stoves, or other apparatus (including amplifiers) that produce heat.
9. Do not defeat the safety purpose of the polarized or grounding-type plug. A polarized plug has two blades with one wider than the other. A grounding type plug has two blades and a third grounding prong. The wide blade or the third prong are provided for your safety. If the provided plug does not fit into your outlet, consult an electrician for replacement of the obsolete outlet.
10. Protect the power cord from being walked on or pinched particularly at plugs, convenience receptacles, and the point where they exit from the apparatus.
11. Only use attachments/accessories specified by the manufacturer.
12. Use only with the cart, stand, tripod, bracket, or table specified by the manufacturer, or sold with the apparatus. When a cart is used, use caution when moving the cart/apparatus combination to avoid injury from tip-over.
13. Unplug this apparatus during lightning storms or when unused for long periods of time.
14. Refer all servicing to qualified service



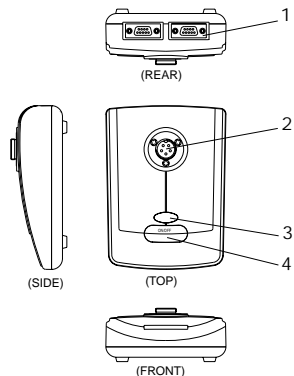
personnel. Servicing is required when the apparatus has been damaged in any way, such as power-supply cord or plug is damaged, liquid has been spilled or objects have fallen into the apparatus, the apparatus has been exposed to rain or moisture, does not operate normally, or has been dropped. any way, such as power supply cord or plug is damaged, liquid has been spilled or objects have fallen into the apparatus, the apparatus has been exposed to rain or moisture, does not operate normally, or has been dropped.

Features

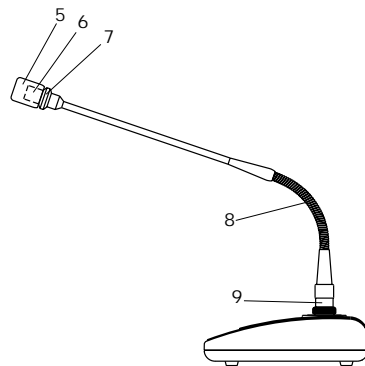
- ❑ LED power indicator on the microphone base.
- ❑ High quality gooseneck electret cardioid condenser microphone.
- ❑ With the addition of a supplementary power supply, more microphones may be added to the system
- ❑ On/Off switch allows the user to switch the microphone on or off (for privacy)
- ❑ Bright Red (ring) LED on the head of the microphone lights during use, indicating who is speaking.
- ❑ Electret cardioid condenser gooseneck microphone ensures excellent sensitivity and intelligibility

Front & Rear Panel

-MICROPHONE STAND



-GOOSENECK MICROPHONE UNIT



1. D-SUB CONNECTOR

To connect the controller with included junction cable.

2. 5P RECEPTACLE

Connector to attach the gooseneck microphone to the base station.

3. LED LAMP

Indicates when the mic is in use.

4. MIC PUSH SWITCH

To turn on mic unit

5. WIND SCREEN

Blocks the ambient noise and protects the microphone unit.

6. MICROPHONE

High quality uni-directional condenser microphone.

7. BRIGHT RED (RING) LED

Illuminates when the microphone is active.


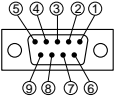
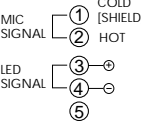

8. FLEXIBLE GOOSENECK MICROPHONE

Microphone can be positioned at the correct level for the operator.

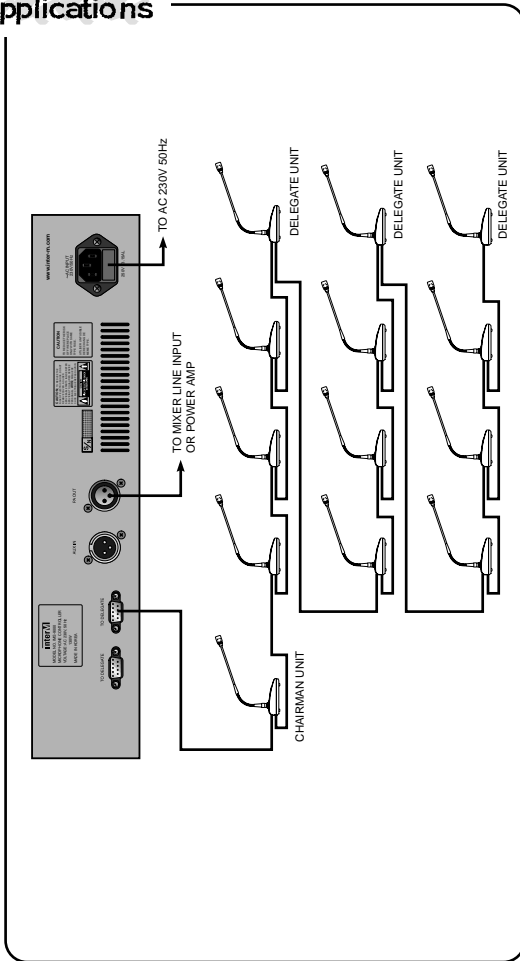
9. 5P PLUG

Locking plug for attachment of the gooseneck to the base station.

Connector PIN

VISUAL MICROPHONE	JUNCTION CABLE BY LINK
5P INLINE CONNECTOR	9P D-SUB CONNECTOR
	
	

Applications



Application models for conference system

No.	Model No.	Description	Application
1	IMS-9000	Microphone Controller	Operates and Controls the system, supplies the chairman and delegate unit's power and extra functions.
2	IMS-9000C	Chairman Microphone	Used as the priority microphone the Chairman's unit has control over the other microphones during use.
3	IMS-9000D	Delegate Microphone	A basic microphone unit which can be muted by the Chairmans microphone.
4	IMC-04 IMC-15 IMC-20 IMC-30	Junction Cable Junction Cable Junction Cable	9 pin D-Sub type cable used to connect the system components together, Microphone units are supplied with 4m cable as standard, 15m, 20m, and 30m cables available as an extra option.

Specifications

□ ELECTRICAL

Mic Sensitivity	-47dBV±4dB
Frequency Response.....	100Hz-16kHz
Mic Type.....	Uni-directional condenser mic
S/N	60dB
T.H.D (at 1 kHz).....	Less than 0.5%
Material	Die-casting & ABS

□ GENERAL

Power.....	DC 24V
Power Consumption.....	100mA
Weight.....	1kg
Dimensions	Stand: 110(W) x 150(H) x 48(D)mm / 4.3(W) x 5.9(H) x 1.8(D)in
	Mic: 480(H) x 10(Unit)mm / 18.8(H) x 10(Unit)in

* Specifications and design subject to change without notice.

Service

Procedures

Ensure the problem is not related to operator error, or external system devices. Once it is certain that the problem is related to the product contact your warranty provider as described in the warranty section of this manual.

Schematic

A Schematic is available by contacting your warranty provider.

Parts List

A Parts List is available by contacting your warranty provider.

Warranty

Warranty terms and conditions vary by country and may not be the same for all products. Terms and conditions of warranty for a given product may be determined first by locating the appropriate country which the product was purchased in, then by locating the product type. To obtain specific warranty information and available service locations contact Inter-M directly or the authorized Inter-M Distributor for your specific country or region.

Note

