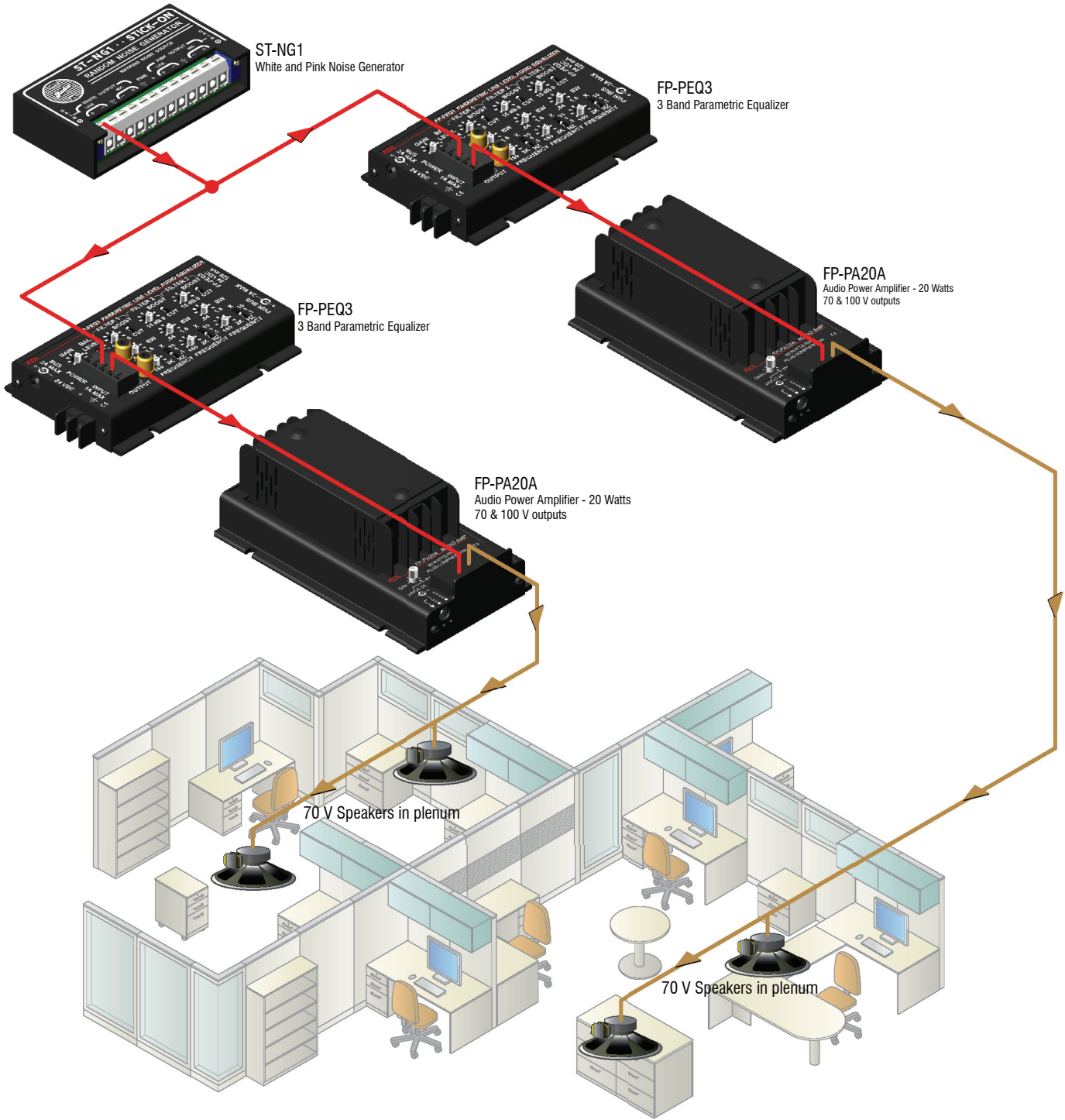


NOISE MASKING

Two-Zone Noise Masking System for Office Space



Description:

This application shows the layout of a two zone noise masking system. The white noise line output from the RDL ST-NG1 feeds the inputs of two RDL FP-PEQ3 parametric equalizers. The FP-PEQ3 equalizers allow the installer to flatten the noise spectrum in each zone. The line output of each FP-PEQ3 is fed through RDL FP-PA20A 20W, 70/100 V power amplifiers. The 70 V output of each FP-PA20A feeds multiple 70 V speakers in its associated zone. Multiple equalizers and amplifiers may be added for larger systems with more zones.

Parts List

Product	QTY
FP-PA20A	2
FP-PEQ3	2
ST-NG1	1

Recommended Pwr. Supplies

Product	QTY
PS-24AS 24 Vdc 500 mA	1
PS-24U2 24 Vdc 2 A	2

Line Color Key

Red	Line Level Audio Signal
Orange	Loudspeaker Level
Purple	Control Signal
Yellow	Video
Blue	Mic Level Audio Signal
Green	Ground
Brown	Power
Black	Miscellaneous