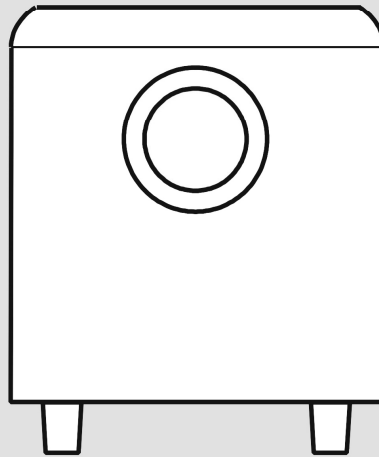




SUB200

Active Powered
Subwoofer speaker



User Manual

ACTIVE POWERED SUBWOOFER SPEAKER

Connection details

The RCA inputs (or level inputs) are for direct connection to the amplifier auxiliary output or subwoofer output. Note that an auxiliary output may be a constant level output (and not affected by the amplifier volume control). If this is the only low level output on the amplifier, it may be preferable to use the speaker outputs.

The high level inputs are for direct connection to the amplifier. Note that the subwoofer speaker can be wired in the parallel to the front speaker outputs without any changes to the speaker impedance.

Controls

Phase Switch

If the subwoofer has been wired out of phase this will exhibit itself as a „hole“ in the signal. The phase switch can correct this problem. To correct the problem set switch to 180. If there is no „hole“ in the signal leave the phase switch set to 0.

The bass promotes

Revolving the „Bass Boost“ the signal will adjust able in 0-6dB

Crossover frequency

This control varies the cutoff point of the bass frequencies going into the subwoofer amplifier. Adjust this control as desired.

Volume control

Adjust the volume control as desired.

On/OFF switch

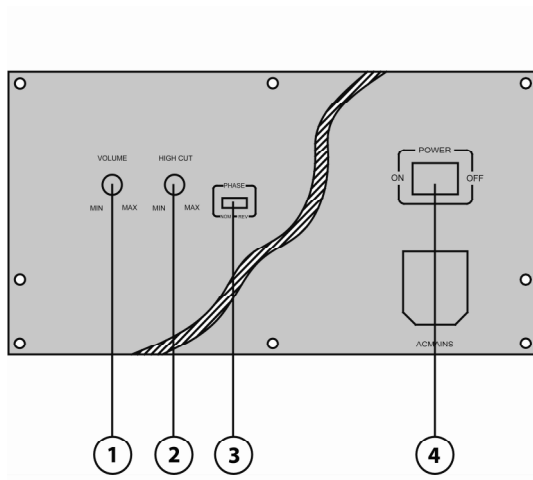
When switched on and in standby mode the power indicator will illuminate red. When a signal is present the power indicator will turn green to indicate the subwoofer is on. At a given input signal level (factory set) the subwoofer will switch on. When the signal has been turned off. When the input signal is again restored the unit will again auto power up, the subwoofer will be in standby mode.

Specifications

1. Power requirements: please refer to the notes on the rear panel of Subwoofer.
2. Output power
Maximum output power 200 W
3. Frequency response 30 Hz- 180Hz
4. Total Harmonic Distortion (THD) 0.1%
5. Speaker size 10 inch (254 mm)
6. Dimensions 460 mm x 340 mm x 360 mm

ACTIVE POWERED SUBWOOFER SPEAKER

Control Panel



1. Volume adjustment
2. Frequency high cut adjustment
3. Phase switch
4. Power ON/OFF

System Connection methods

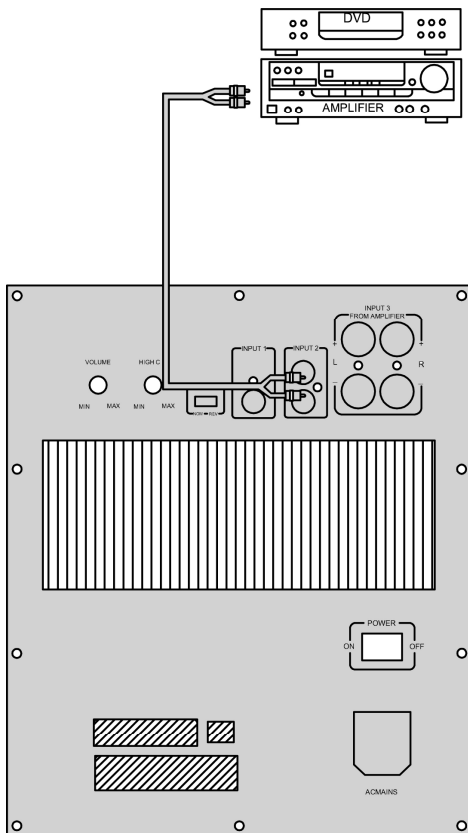


Fig. 1 Connection via low level or RCA inputs.

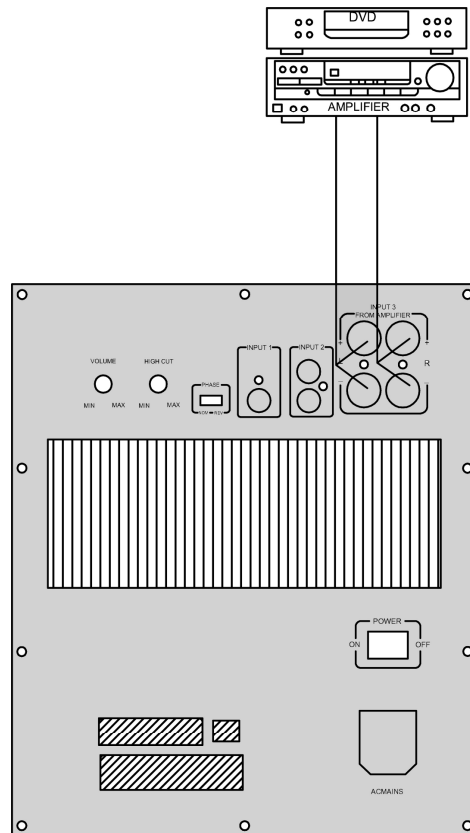


Fig. 2 Connection via high level or speaker inputs