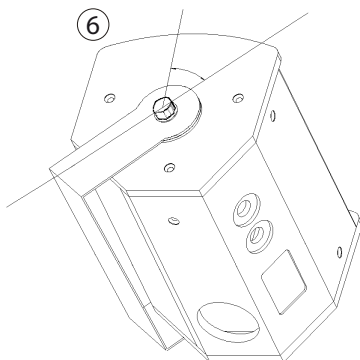
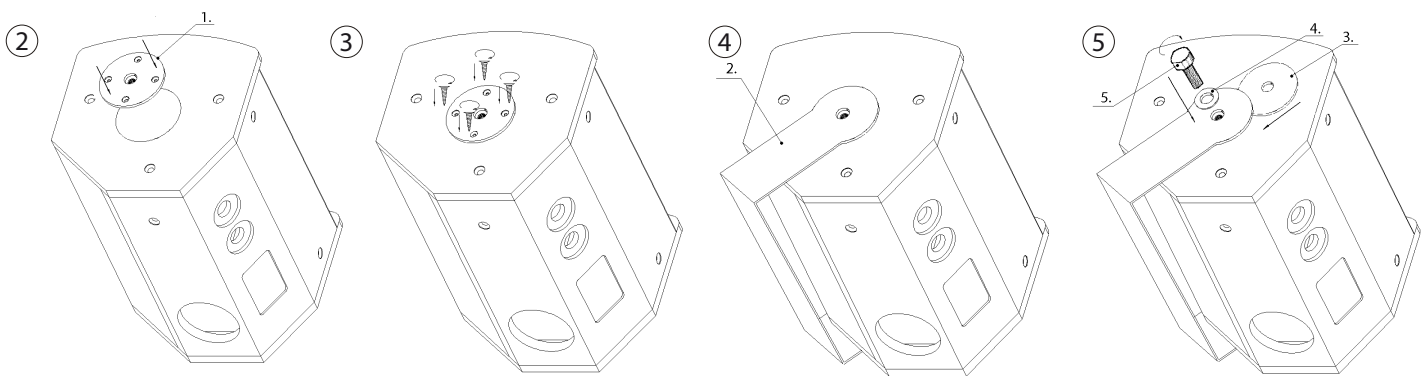
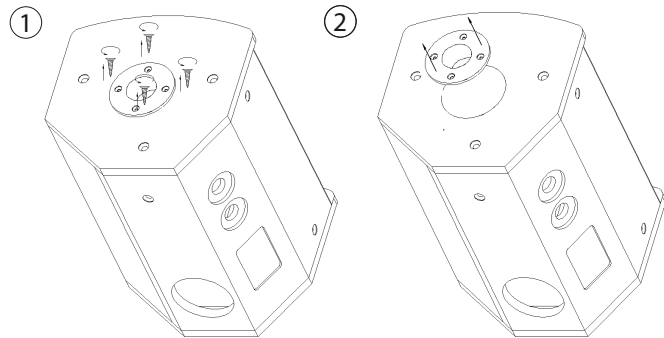


INSTALLATION MANUAL

Package contains:

- | | |
|------------------------|-------|
| 1. Bottom fixing plate | 1 pc. |
| 2. U - bracket | 1 pc. |
| 3. Rubber washers | 2 pc. |
| 4. Steel washers | 2 pc. |
| 5. Screws | 2 pc. |



- ① Unscrew screws from the bottom loudspeaker's plate.
- ② Change this unscrewed plate in to the plate from U-bracket kit.
- ③ Screw up all four screws.
- ④ Mount the bracket on the wall or ceilings and place the loudspeaker in to bracket.
- ⑤ Assemble all U bracket parts in succession:
rubber washer → U - bracket → metal washer → screw.
- ⑥ Set the desired position of the loudspeaker and strongly screw up all the screws.